

SPECIFICATION DATA SHEET

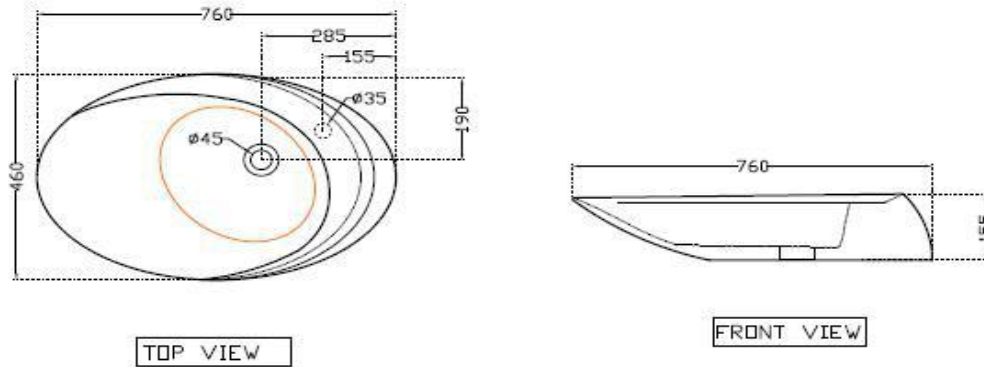
PRODUCT DETAILS

Manufacturer:	Artize	Type:	Table Top Basin
Outlet	Vertical	Colour:	White
Technical Details:	Semi Punch Tap hole dia. $\varnothing 35 \pm 2$ mm Show in dotted line.	Material:	Fine Fire Clay
	ID of waste outlet hole dia. $\varnothing 45 \pm 3$ mm		
Horizontal distance between the Bowl edge and the centre line of the waste outlet hole ≤ 285 & 190 mm			

PRODUCT IMAGE



TECHNICAL DRAWING



Product Dimension	760x460x155 mm	FEATURES Basin with Over Flow Hole, Anti Germ Glaze
Basin Inner Dimension	620x430x100 mm	
Product Weight	16.5 kg	

ACCESSORIES INCLUDED

Overflow hole Cap	ZPS-WHT-9014
-------------------	--------------

CERTIFICATION

Compliance : EN 14688:2015 (E)	CE
---------------------------------------	-----------

DISCLAIMER: Our every effort has been made to ensure factual accuracy, the information presented subject to changes due to requirements in different sites, markets and/ or countries. All dimensions are in mm (Tolerance ± 5 MM). Jaquar reserves the right to make the necessary amendments at any time without prior notice.